

How to connect a TL16C754 UART to the DNP/1110

To connect two TL16C754 UARTs to the DNP/1110 there are some logical connections necessary. The figures below shows the needed signals, their respective pins on the DNP/1110 and the way in which these pins have to be connected to the other components of this circuit. The entire circuit have to be made in 3.3V. There are 8 chip-selects needed. Each of the 4 chip-selects from the DNP/1110 must be splitted in 2 chip-selects by using the external address line A3. With these splitted chip-selects the UART chip-selects have to be connected.

Note: This circuit has not been tested. The user assumes the entire risk as to the accuracy and the use of this document.

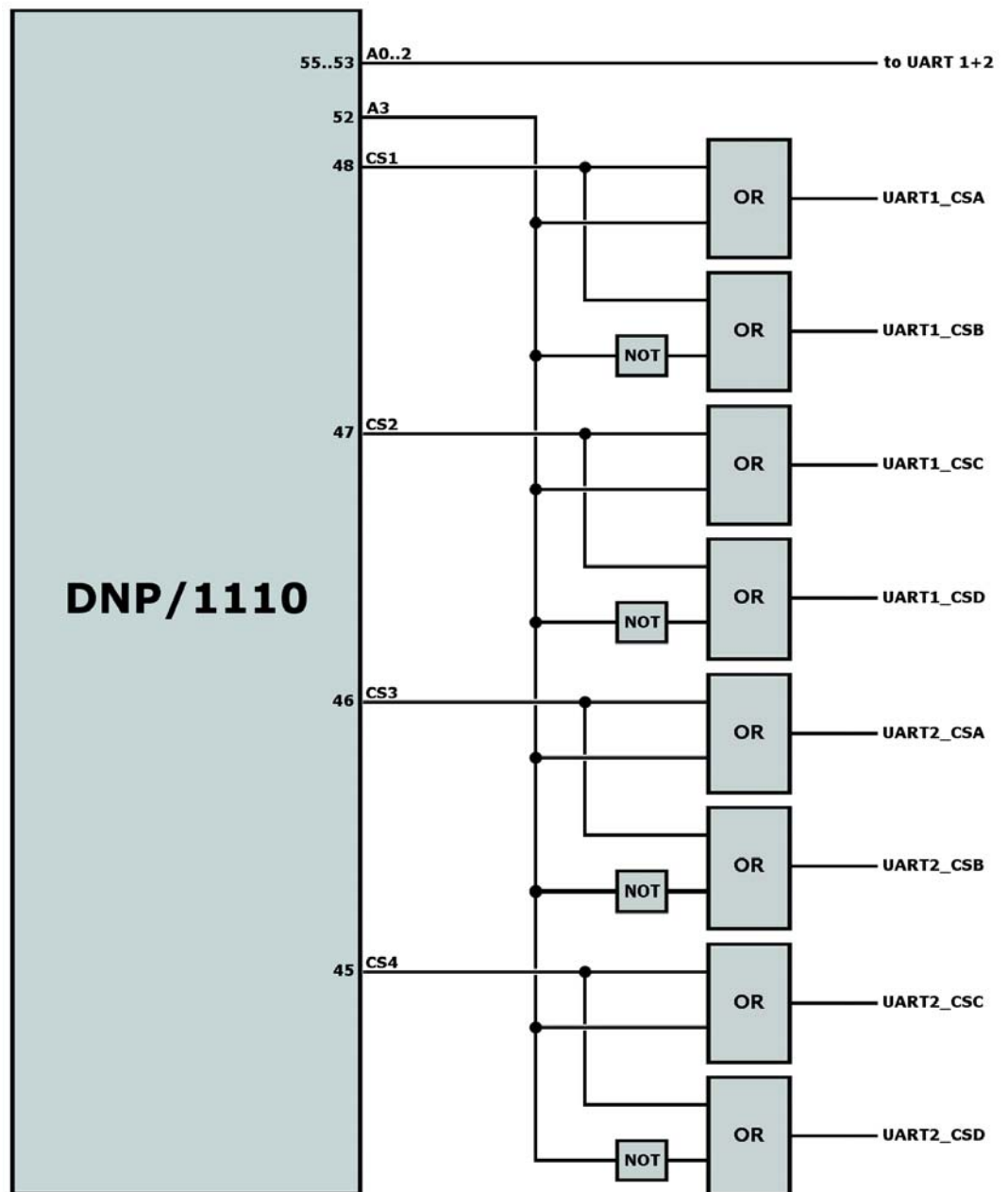


Figure 1: Chip-Select Mapping

Two UARTs must be associated with an OR connection. The resultant interrupt line must be connected with an Interrupt(INT)-input on the DNP/1110.

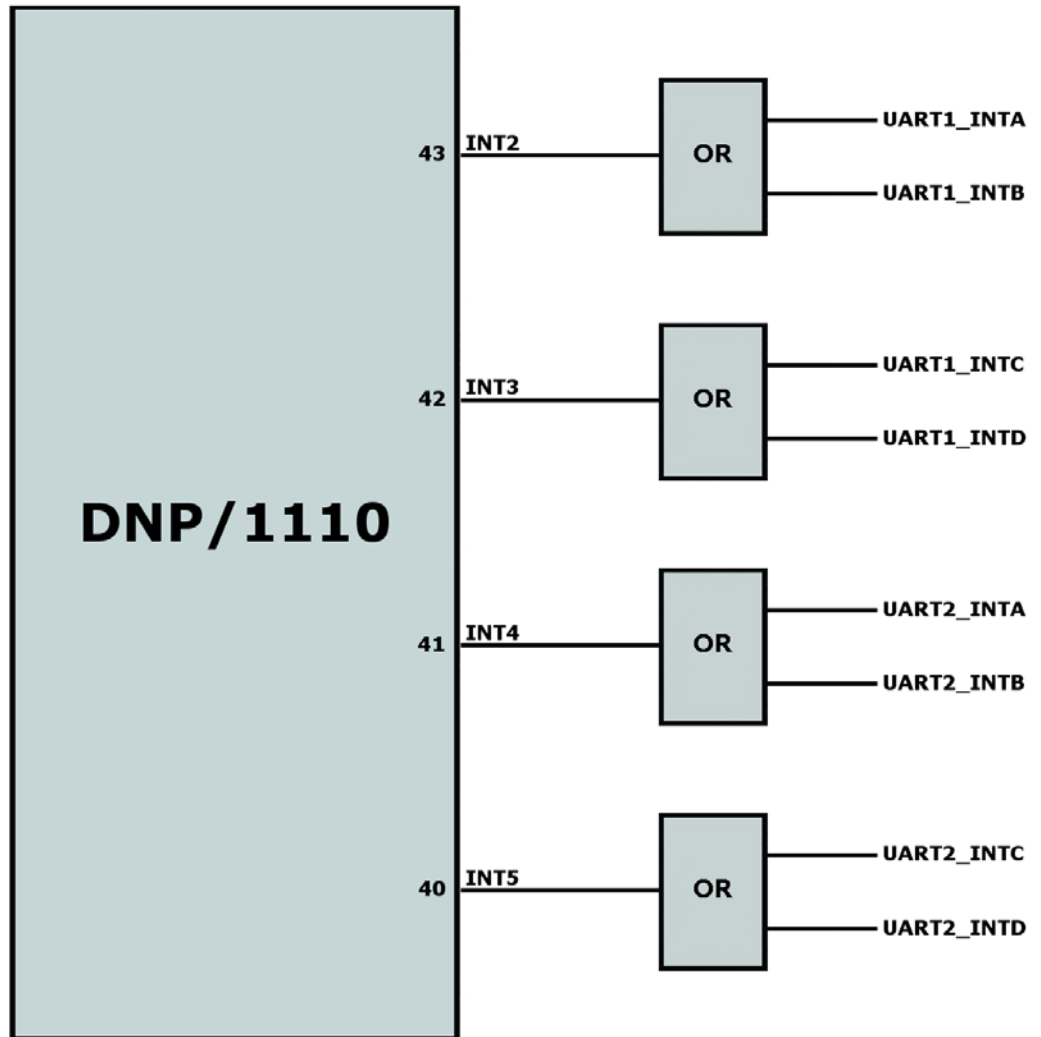


Figure 2: IRQ Mapping

Note : Leave the INTSEL-pin (pin 65/67) unconnected and program MCR Bit 3 to 0 (reset state).

Contact

SSV Embedded Systems
Heisterbergallee 72
D-30453 Hannover
Tel. +49-(0)511-40000-0
Fax. +49-(0)511-40000-40
E-Mail: sales@ist1.de
Internet: www.ssv-embedded.de
www.dilnetpc.com

Document History

Revision	Date		Name
01.01.00	16.04.03	First Version	JNE

This document is written only for the internal application. The contents of this document can change any time without announcement. There is taken over no guarantee for the accuracy of the statements. Copyright © **SSV EMBEDDED SYSTEMS 2003**. All rights reserved.

INFORMATION PROVIDED IN THIS DOCUMENT IS PROVIDED 'AS IS' WITHOUT WARRANTY OF ANY KIND. The user assumes the entire risk as to the accuracy and the use of this document. Some names within this document can be trademarks of their respective holders.