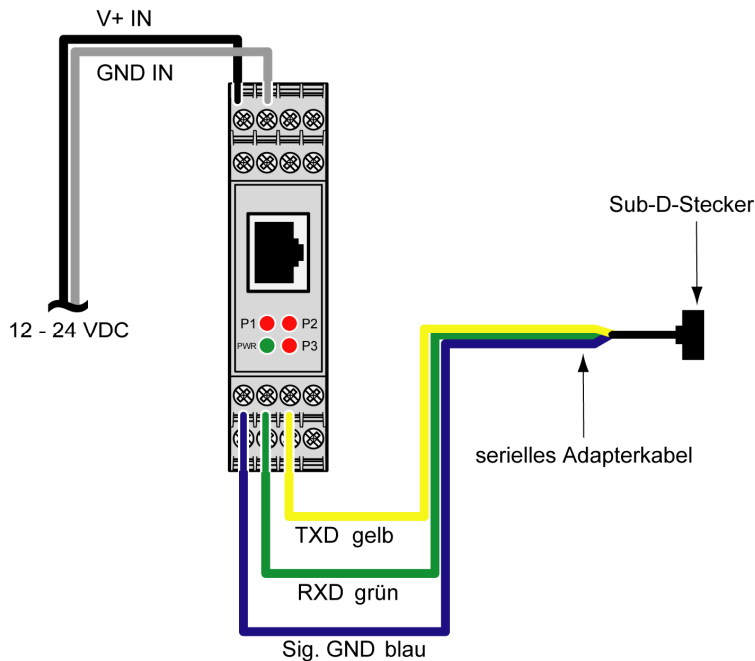


IGW/920 with Auto ID Reader (AIDR) Software – User Information

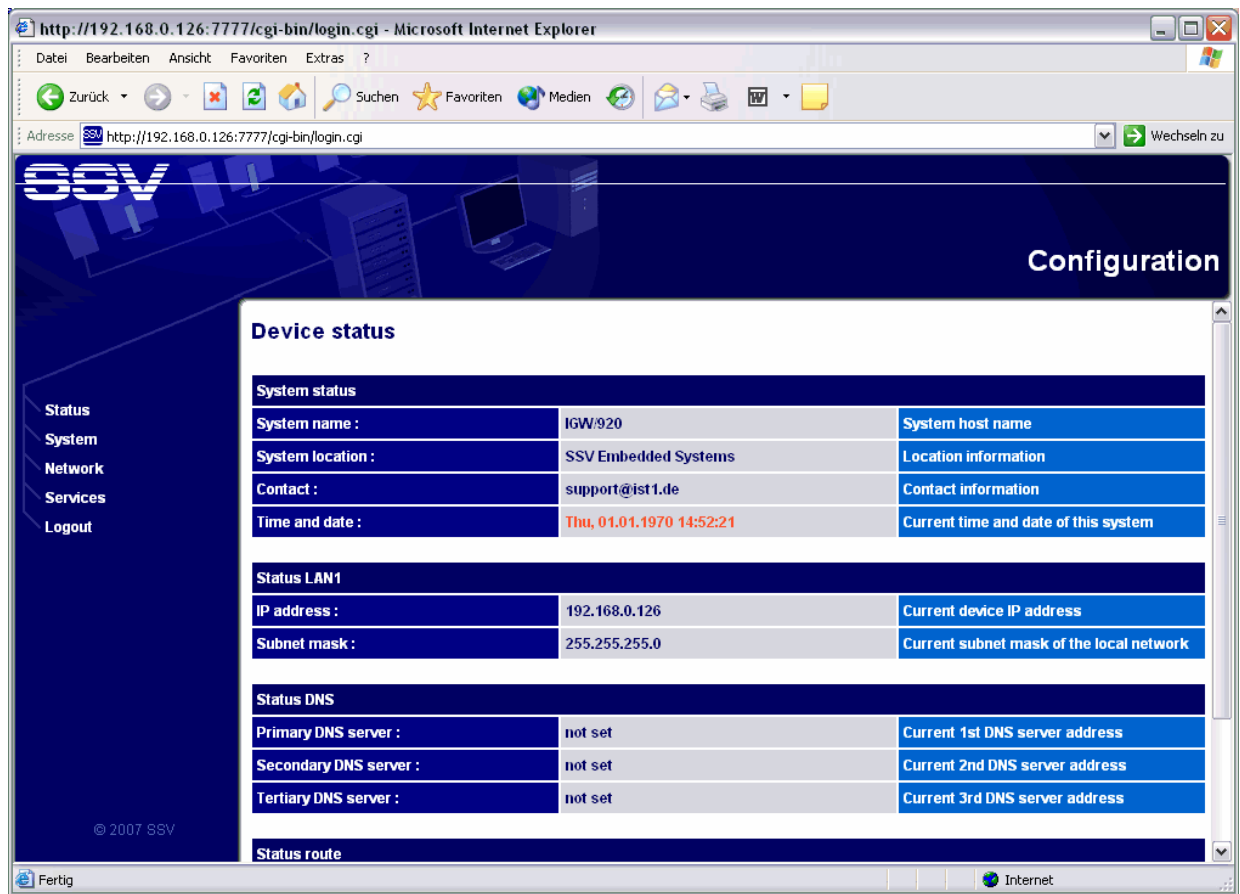
The Linux Device Server IGW/920 with preinstalled Auto ID Reader (AIDR) software allows you to read serial data ASCII strings from external RFID or barcode readers over the RS232 interface COM2. These strings can be transferred with the 10/100 Mbps Ethernet LAN interface to external systems. The AIDR software offers FTP client and server support for the Ethernet LAN data transfer.



- **1. Step:** Access the web-based configuration interface with the URL <http://192.168.0.127:7777>. The AIDR software shows the login screen within your browser window.



- **2. Step:** Please enter the password *igw920* and press the *Submit* button within the login screen. The AIDR software shows a screen with some device status information.

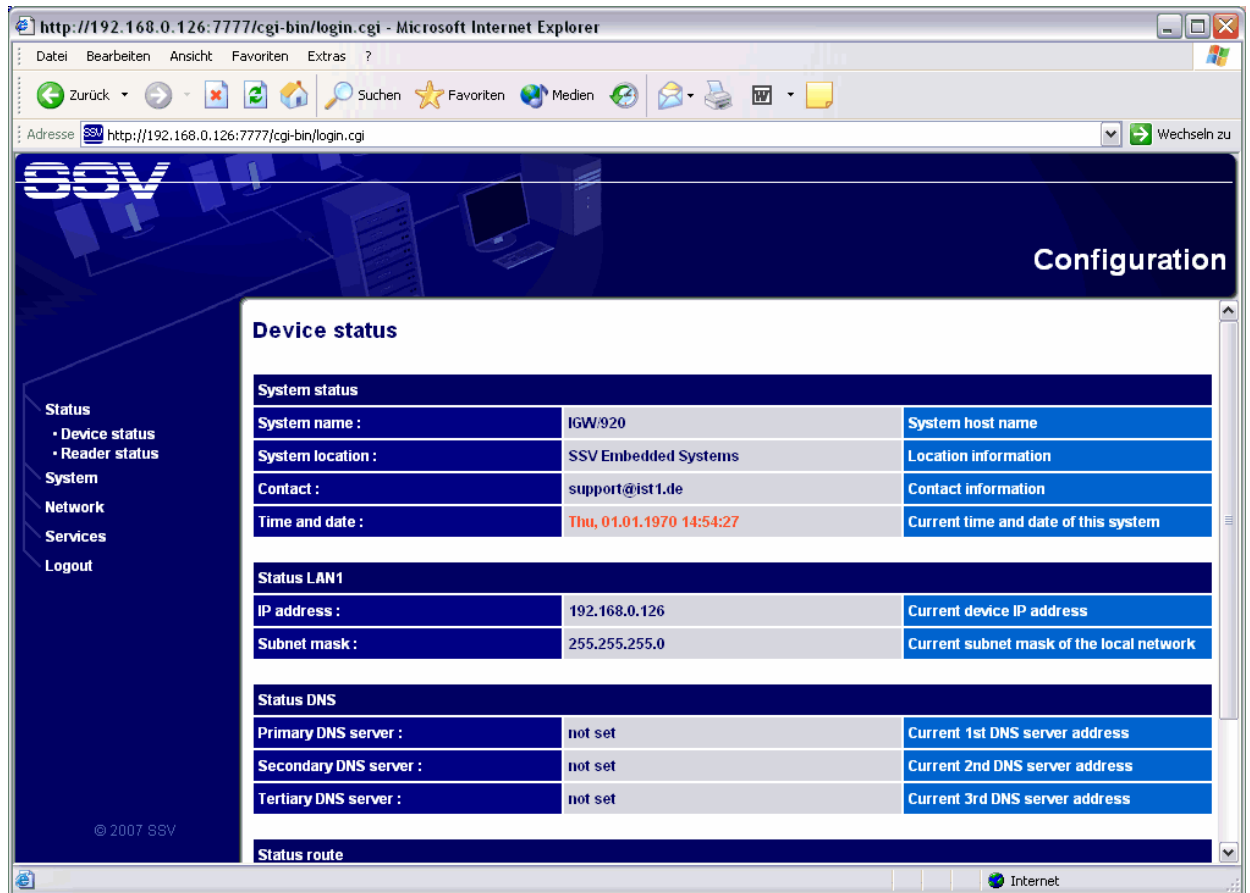


The web-based user interface of the AIDR software contains five main menu items. These items are accessible over the frame within the browser window.

Main menu item	Function
Status	Show device and reader status including three log files.
System	Change system information, set time and date, change passwords.
Network	Change IP address, network mask and other configuration data.
Services	Change and manage FTP and reader/RS232 configuration data.
Logout	Terminates the configuration session.

Table 2.1: Main menu items of the web-based user interface of the AIDR software

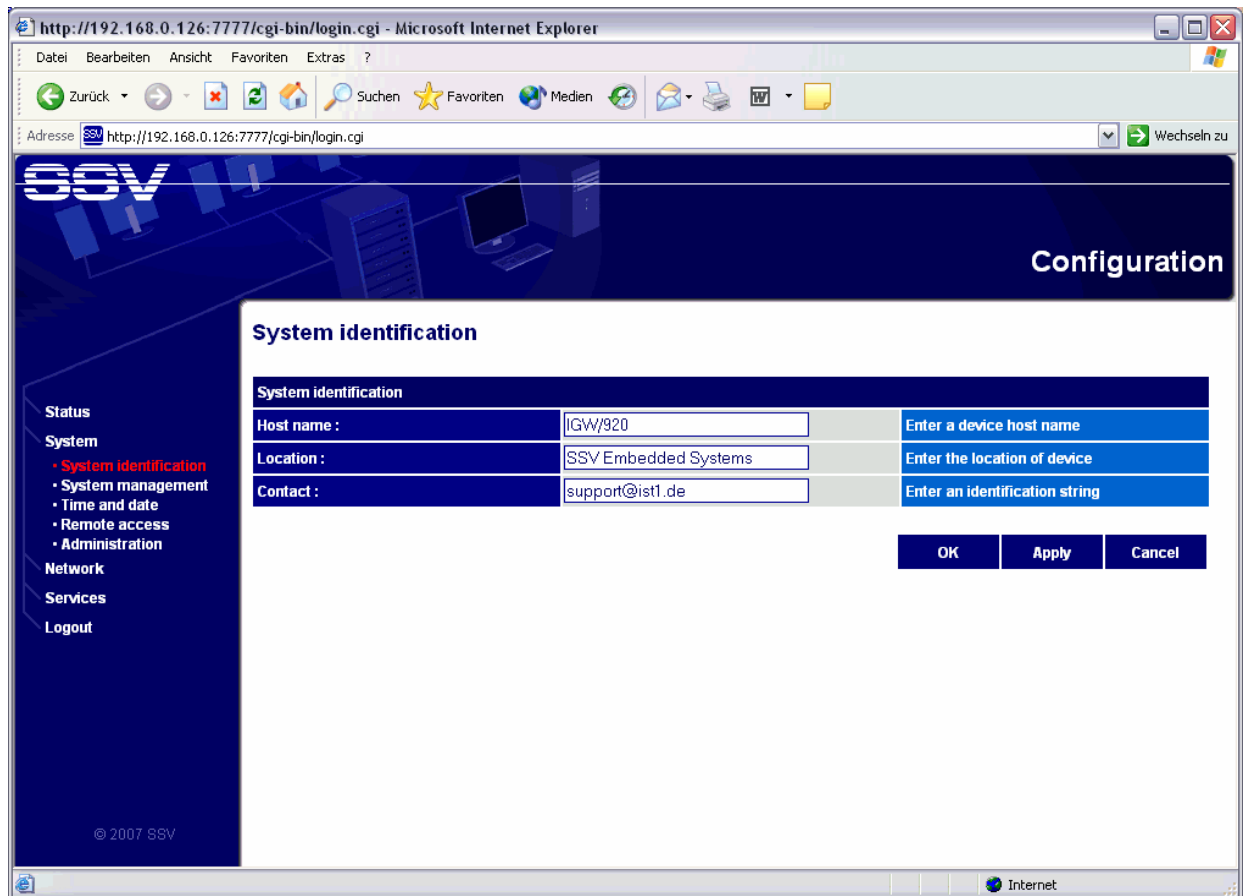
- **3. Step – Menu Item *Status***: Shows system status information and links to the three log files *Datalog.txt* (last 100 ASCII strings from external RFID or barcode reader), *Errorlog.txt* (last 100 FTP error messages) and *Bootlog.txt* (text file with boot information).



Sub menu item	Function
Device status	Shows system status information and link to <i>Bootlog.txt</i> log file.
Reader status	Shows reader set-up information and links to two logging files.

Table 3.1: Sub menu items within main menu *Status*

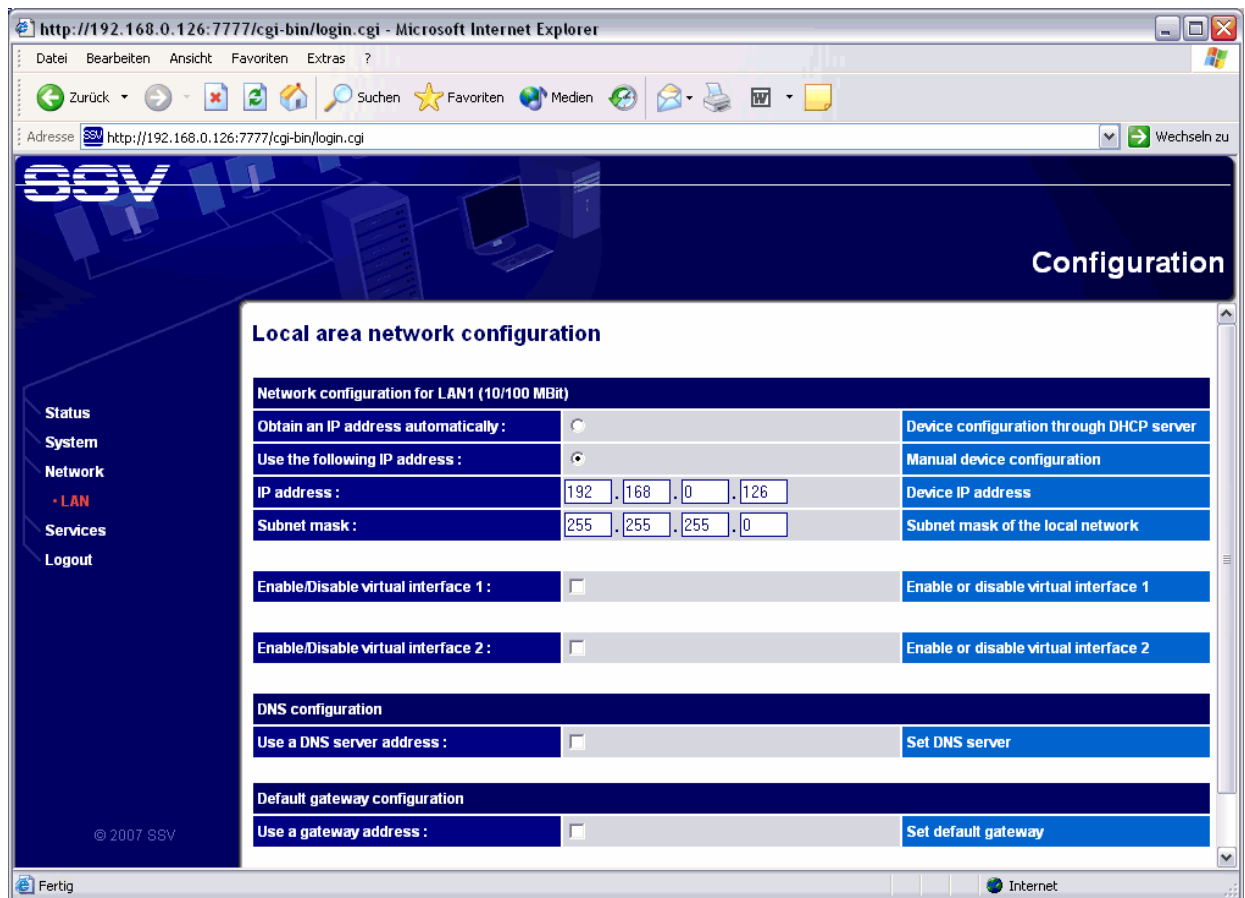
- **4. Step – Menu Item System:** Change system information, set time and date, change passwords.



Sub menu item	Function
System identification	Set host name, location and contact information.
System management	Reboot, HALT and configuration management.
Time and date	Set time and date, specify NTP server.
Remote access	Switch OpenSSH on or off. OpenSSH password definition.
Administration	Password management for the web-based interface.

Table 4.1: Sub menu items within main menu *System*

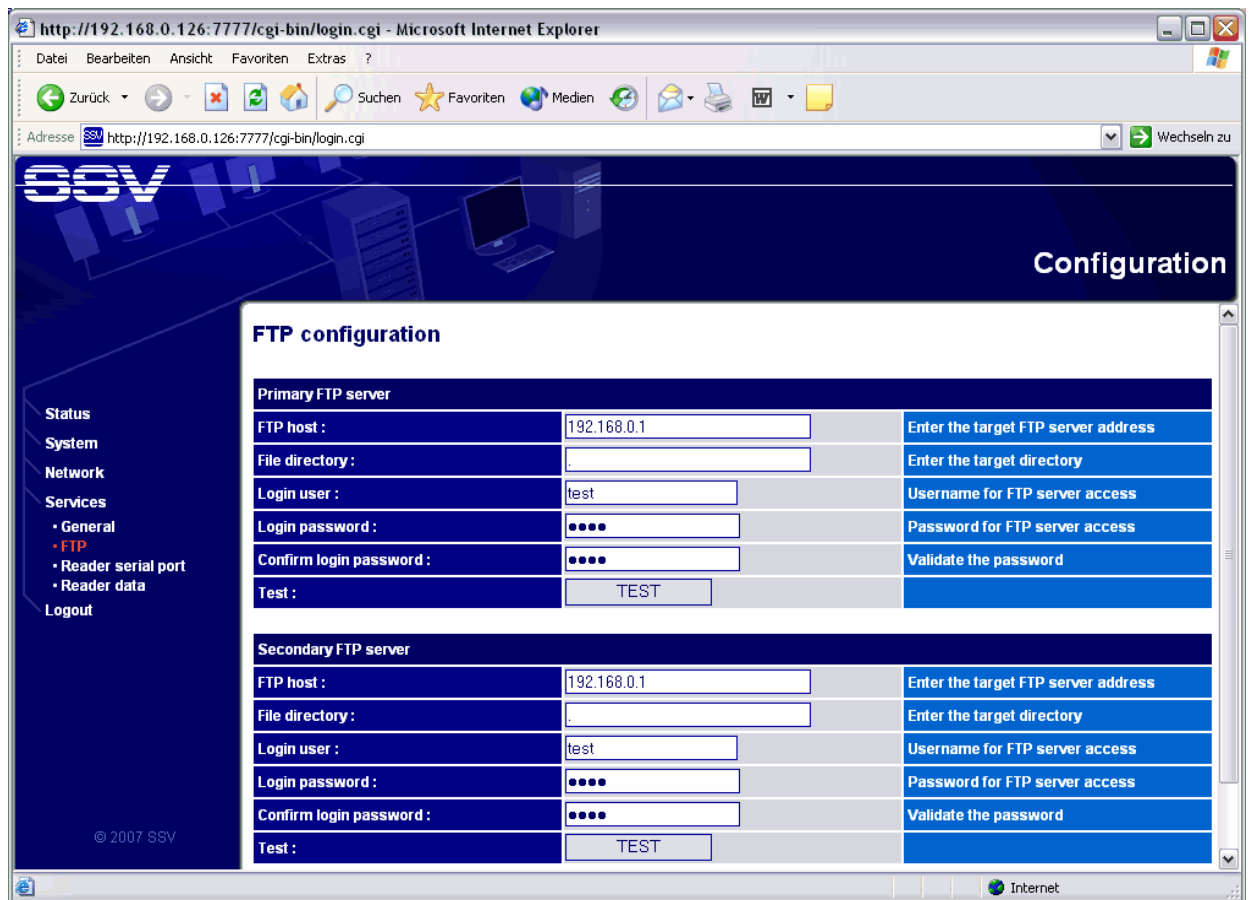
- **5. Step – Menu Item *Network*:** Change and manage IP address, network mask and other configuration data for the Ethernet LAN interface.



Sub menu item	Function
LAN	Network configuration for the LAN1 Ethernet interface (eth0).

Table 5.1: Sub menu items within main menu *Network*

- **6. Step – Menu Item *Services*:** Enable, disable and configuration for some AIDR software features.



Sub menu item	Function
General	Enable or disable Telnet, FTP and/or HTTP (web) server.
FTP	FTP client and server configuration for RFID or barcode read data.
Reader serial input	RS232 serial input configuration (bits per second, parity ...).
Reader data	Some more configuration data for RFID or barcode read data.

Table 6.1: Sub menu items within main menu *Services*

- **7. Step – Menu Item *Logout*:** This main item terminates a web-based session. The AIDR software shows the login direct after activating the menu item *Logout*.



Please note: All information within this document are valid for the AIDR software build 2880. Please watch the build number embedded into the login screen.

That is all.