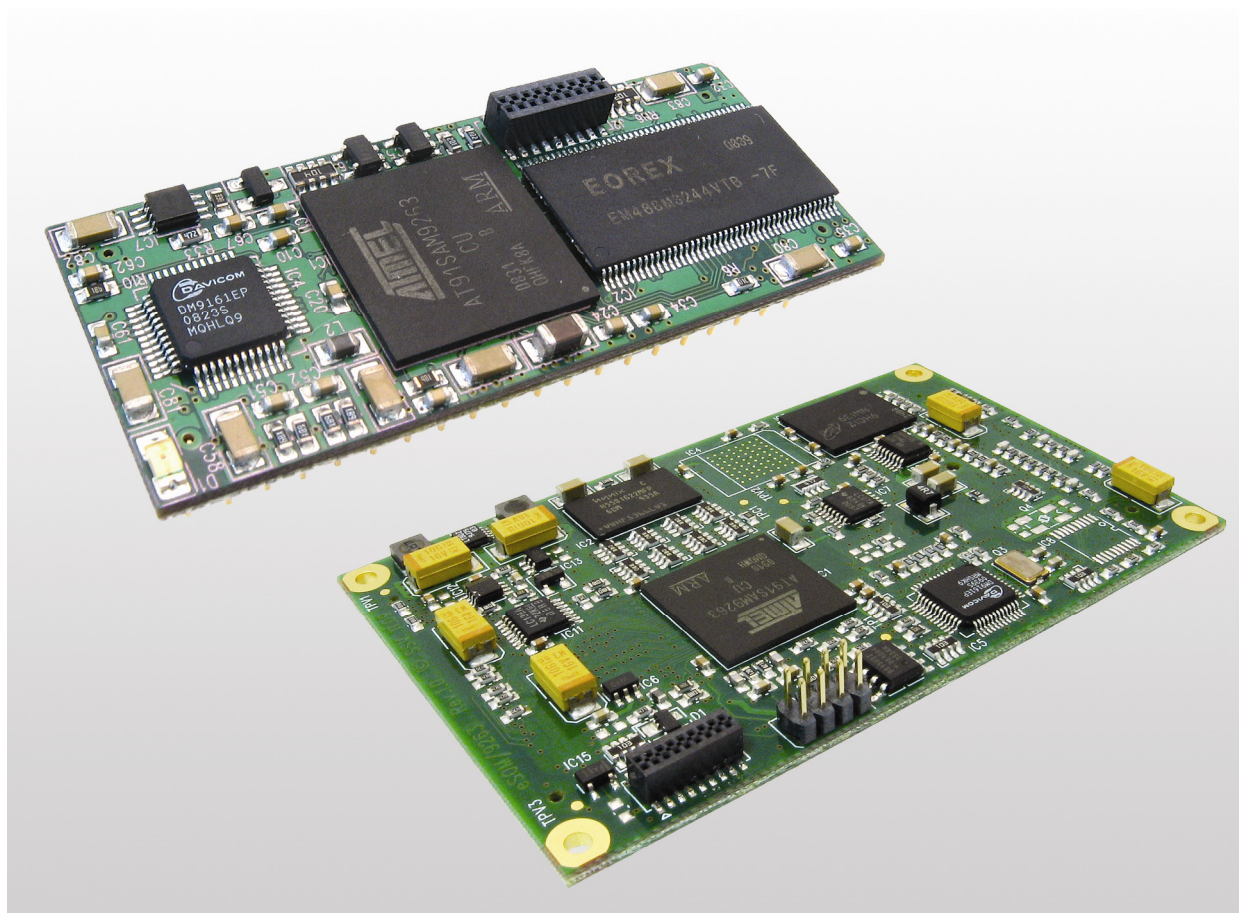


eSOM/9263, DNP/9265 ***Sun VirtualBox on WinXP***

microHowTo



SSV Embedded Systems
Dünenweg 5
D-30419 Hannover
Phone: +49 (0)511/40 000-0
Fax: +49 (0)511/40 000-40
E-mail: sales@ssv-embedded.de

Manual Revision: 1.1
Date: 2010-09-13

CONTENT

1	INTRODUCTION.....	3
1.1	Conventions	3
1.2	Blockdiagram DNP/9265	3
1.3	Blockdiagram eSOM/9263	3
2	INSTALLING THE SUN VIRTUALBOX.....	4
3	IMPORTING THE VIRTUALBOX IMAGE.....	5
4	ADDITIONAL CONFIGURATION.....	6
5	RUNNING THE VIRTUAL MACHINE.....	8
6	HELPFUL LITERATURE.....	10
	CONTACT	10
	DOCUMENT HISTORY	10

1 INTRODUCTION

This document describes how to install, import, configure and run the Sun VirtualBox on a Windows XP system.

1.1 Conventions

Convention	Usage
bold	Important terms, menu items, buttons
monospace	Pathnames, program code, command lines

Table 1: Conventions used in this Document

1.2 Blockdiagram DNP/9265

The DNP/9265 and the eSOM/9263 are very similar devices. Both are based on the Atmel AT91SAM9263 MCU and an embedded Linux operating system with kernel version 2.6. For application development you can use the same GNU ARM cross tool chain. The embedded Linux run time environment is identical. In other words: you can run the same binaries.

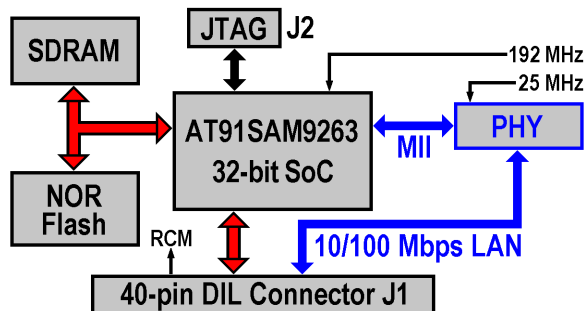


Figure 1: Blockdiagram DNP/9265

1.3 Blockdiagram eSOM/9263

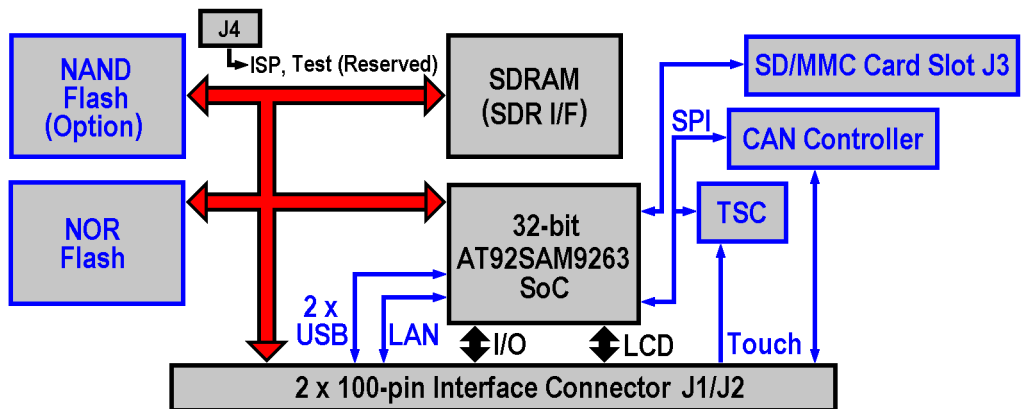


Figure 2: Blockdiagram eSOM/9263

2 INSTALLING THE SUN VIRTUALBOX

1. Open the directory **VirtualBox** from the DVD, start the VirtualBox setup **Virtual-Box-3.0.10-54097-Win.exe** and follow the instructions.
2. Skip the first dialog box with a click on **Next** and accept the end user license with a click on **I accept**.
3. Skip the next two dialogs with a click on **Next**.
4. Click **Yes** in the next dialog to proceed with the installation.

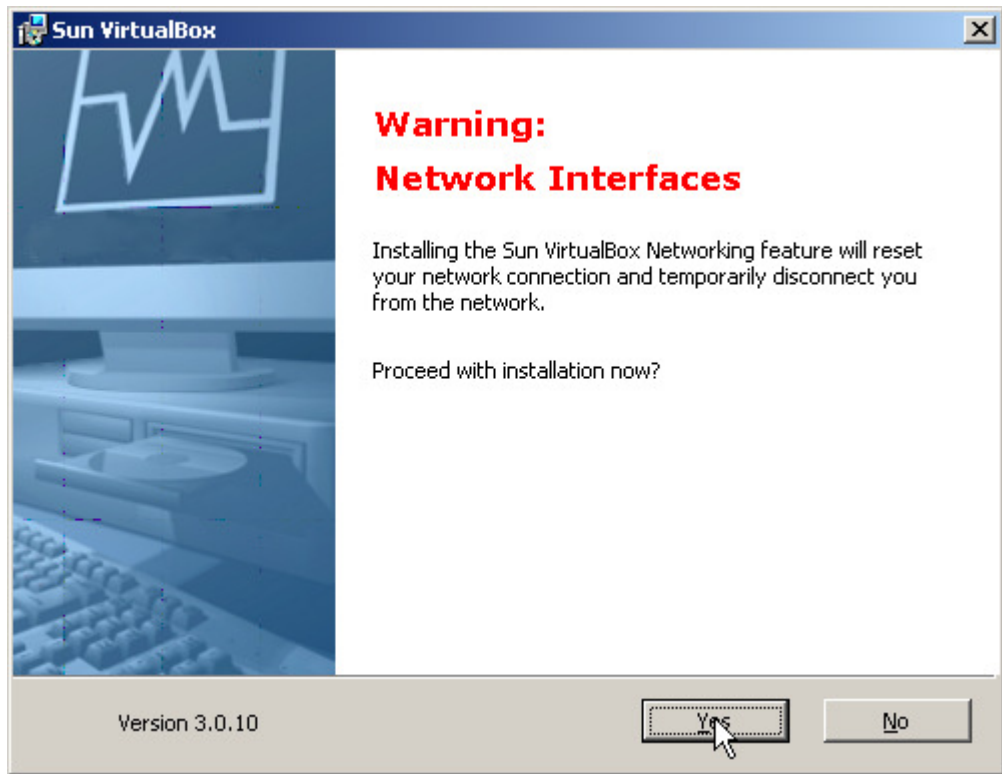


Figure 3: Proceeding the installation

5. Allow the installation of not signed software. The installation runs automatically.
6. Click on **Finish** and start the VirtualBox.

3 IMPORTING THE VIRTUALBOX IMAGE

1. Start VirtualBox, if not already running, with the Windows start menu.
2. Open **File > Appliance import**.
3. Choose the **eSOM9263-developer-environment.ovf** or the **DNP/9265-developer-environment.ovf** file from the DVD directory **VirtualDiscImage** and click on **Next**.

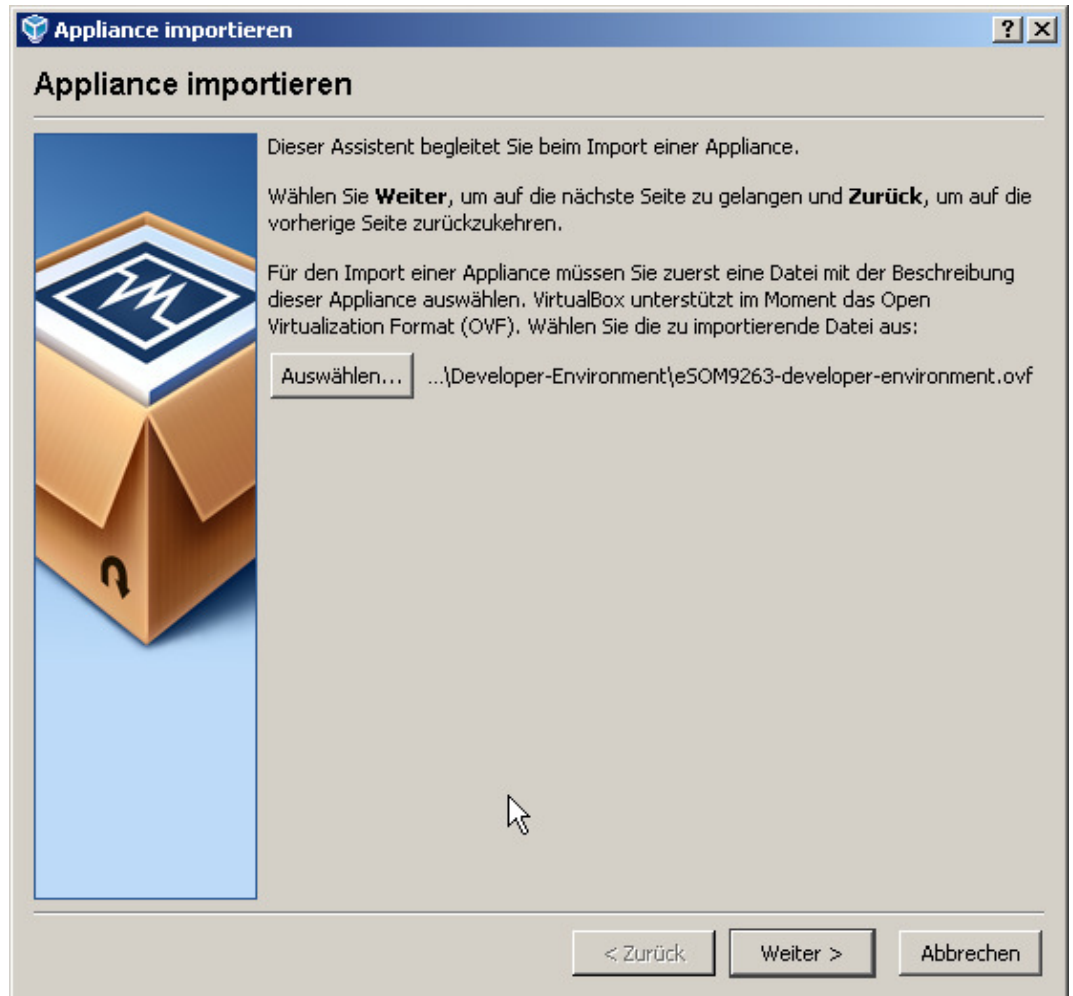


Figure 4: Importing a virtual disc image

4. In the next dialog box click on **Import**.

4 ADDITIONAL CONFIGURATION

1. Start VirtualBox, if not already running, with the Windows start menu.
2. Select the imported image on the left side and click on the **Edit** symbol.
3. Select **CD/DVD-ROM** and setup the CD-ROM device.

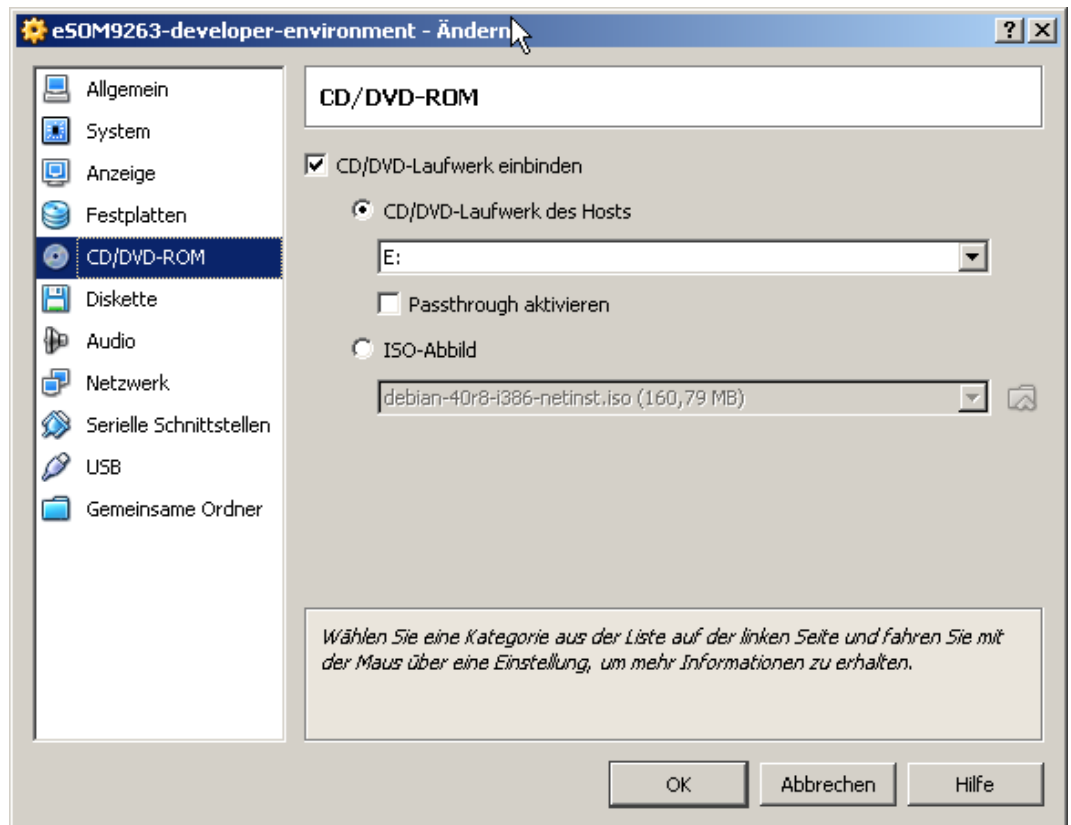


Figure 5: Selecting the shared folder

4. Select **Shared folders** and add (create and choose) a shared folder from your host system. The shared folder function is a nice way to share files between host and guest system. To bind this folder into the guest system, you need to mount it like:

```
mount -t vboxsf <shared folder name> /<folder to mount no>  
mount -t vboxsf share /mnt
```

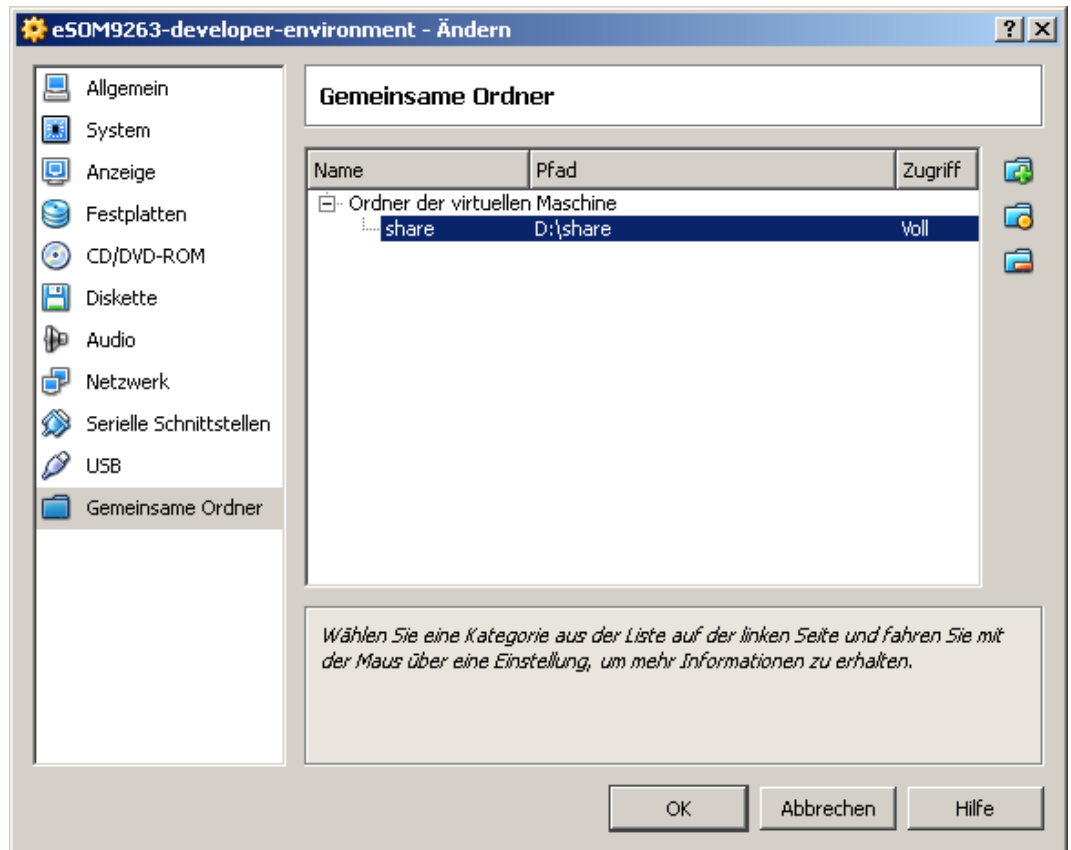


Figure 6: Selecting the shared folder

5. Save the settings and close the dialog box with a click on **OK**.

5 RUNNING THE VIRTUAL MACHINE

1. Start VirtualBox, if not already running, with the Windows start menu.
2. Select the imported image on the left side and click on the **Start** symbol.

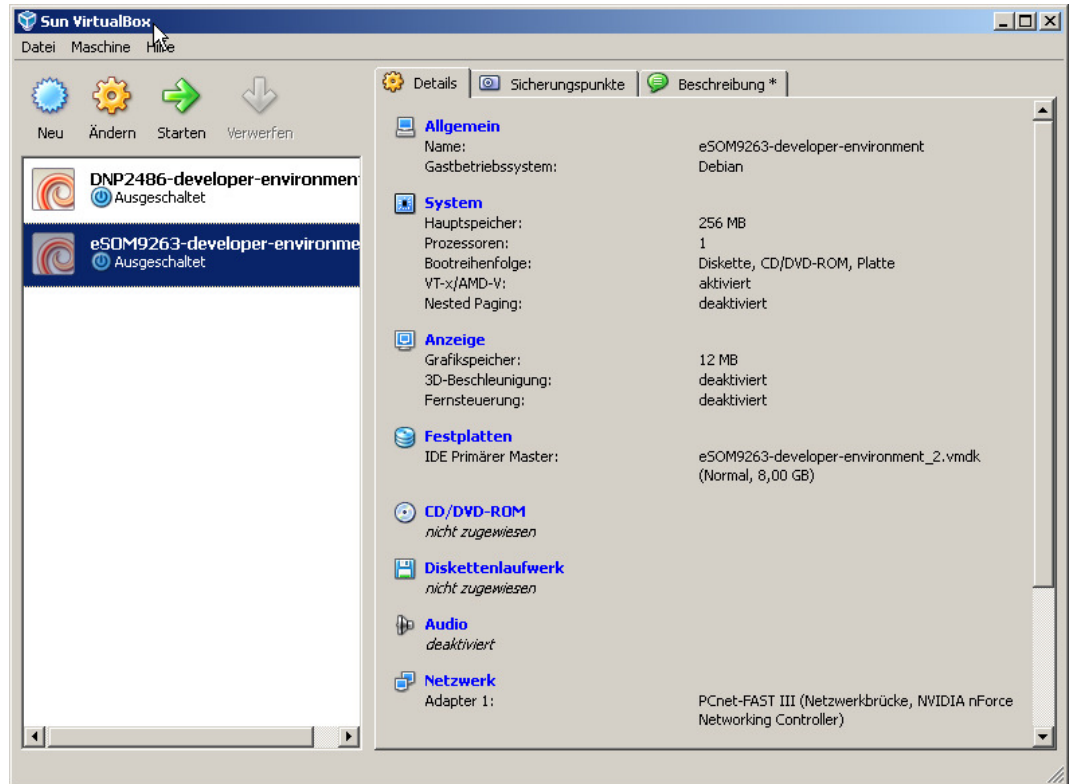


Figure 7: Starting the imported image

3. After the start you will see a login screen from the virtual Debian system. The login is possible with:

User: username: **“user”**, password: **“user”**

Root: username: **“root”**, password: **“root”**

When you pass the login you will see this desktop:

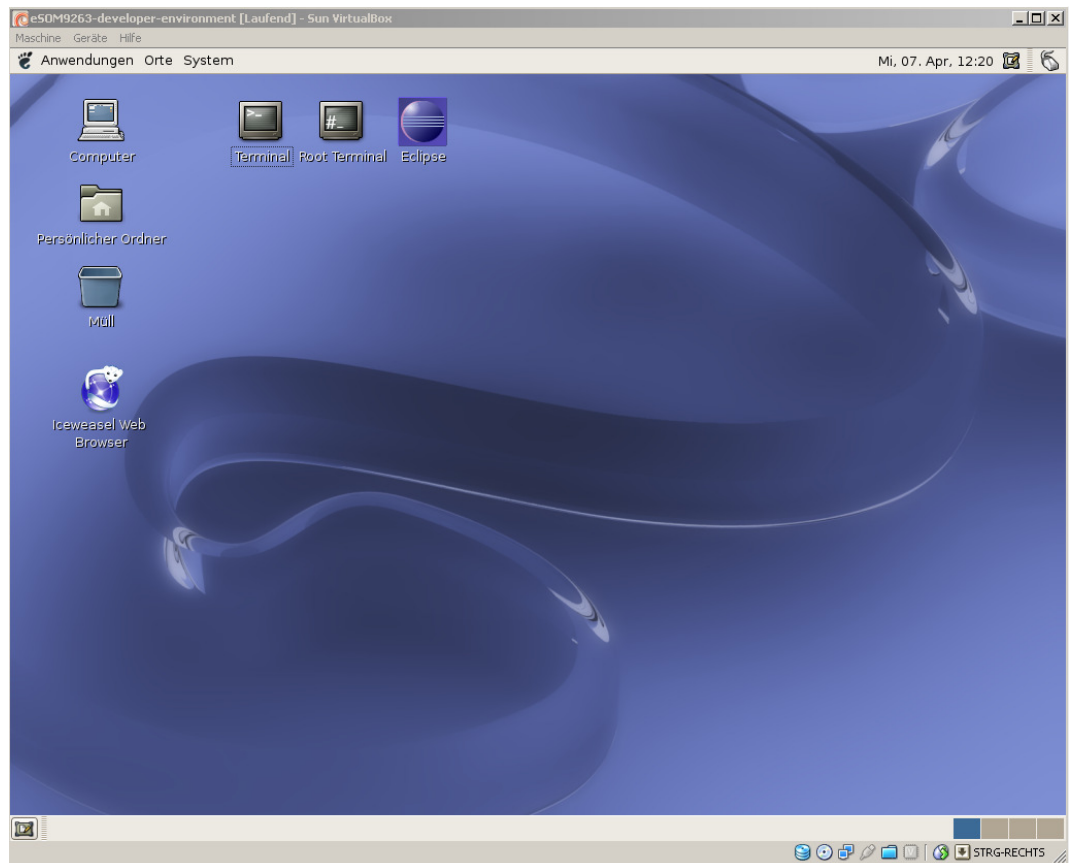


Figure 8: Desktop of virtual Debian system

Please Note: You can switch the guest system to full screen mode and back with **CTRL-RIGHT+F**. This combination only works with the right CTRL-button!

6 HELPFUL LITERATURE

- eSOM/9263 hardware reference manual
- DNP/9265 hardware reference manual

CONTACT

SSV Embedded Systems

Dünenweg 5

D-30419 Hannover / Germany

Phone: +49 (0)511/40 000-0

Fax: +49 (0)511/40 000-40

E-mail: sales@ssv-embedded.de

Internet: www.ssv-comm.de

Support: www.ssv-comm.de/forum

DOCUMENT HISTORY

Revision	Date	Remarks	Name
1.0	2010-04-09	first version	WBU
1.1	2010-09-13	chapter 1.2 and 1.3 added	WBU

The content of this document can change any time without announcement. There is taken over no guarantee for the accuracy of the statements. The user assumes the entire risk as to the accuracy and the use of this document. Information in this document is provided 'as is' without warranty of any kind. Some names within this document can be trademarks of their respective holders.

© 2010 SSV EMBEDDED SYSTEMS. All rights reserved.